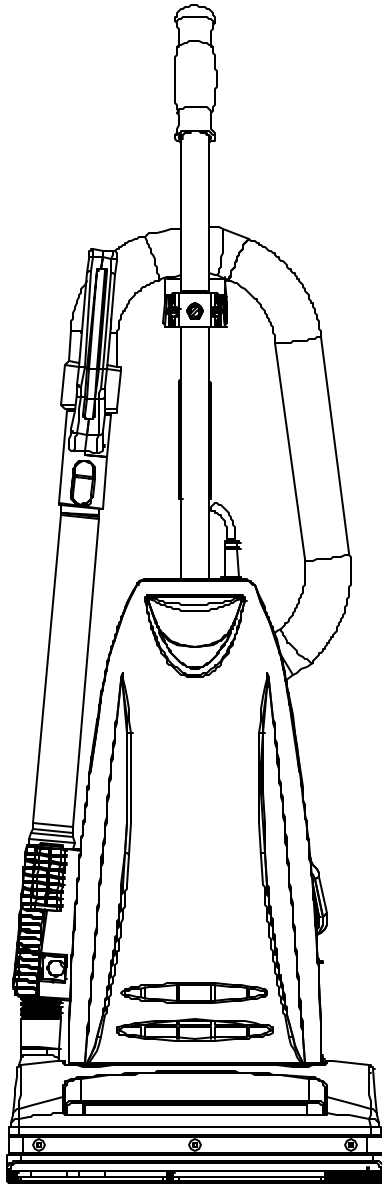
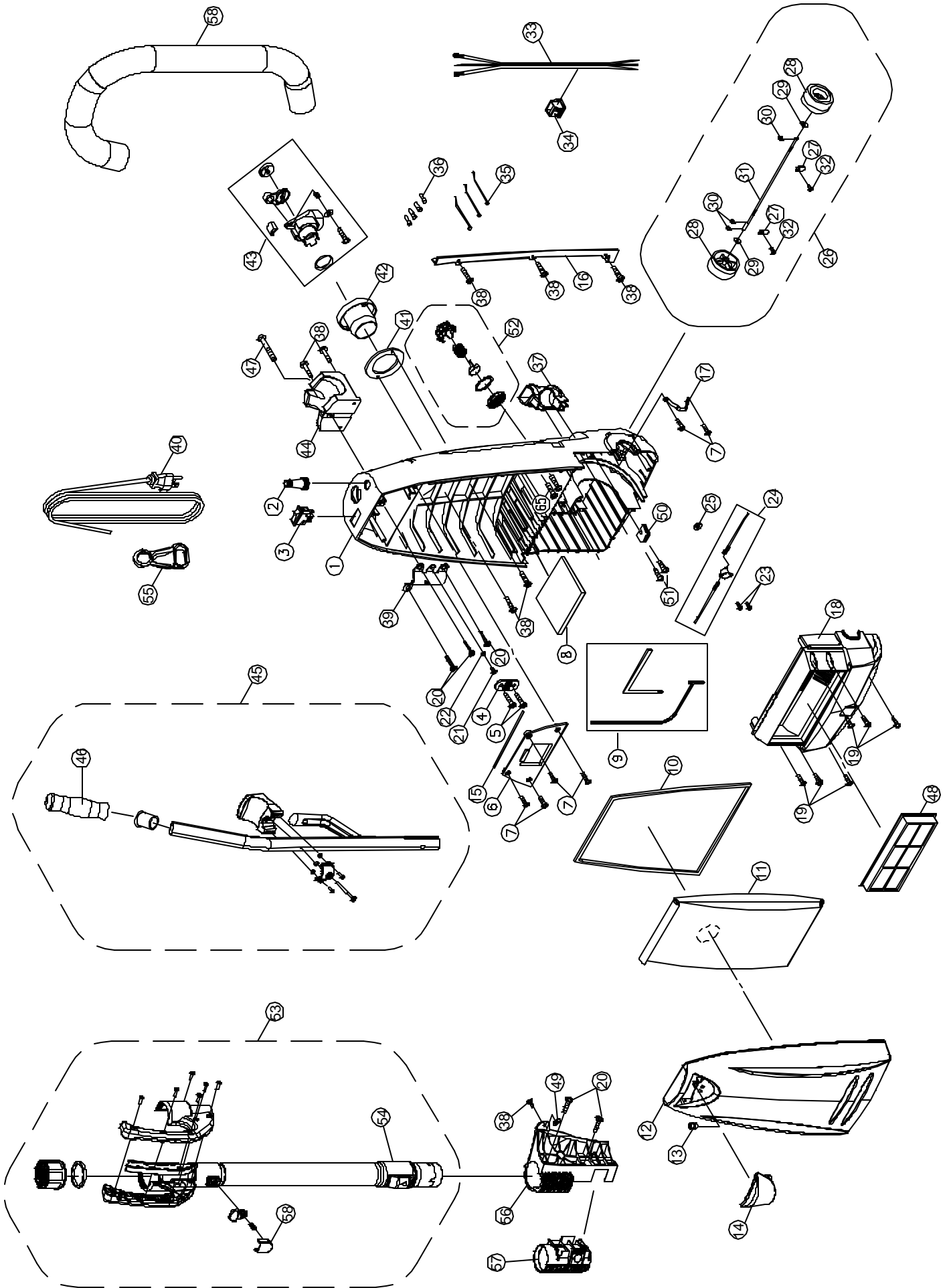


# PARTS LIST



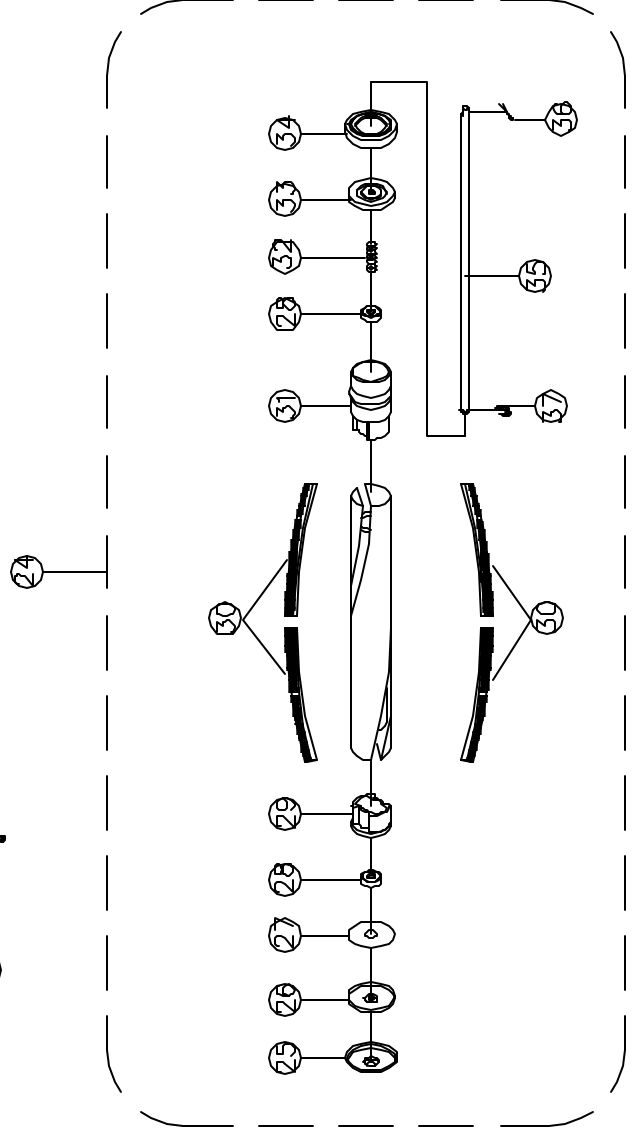
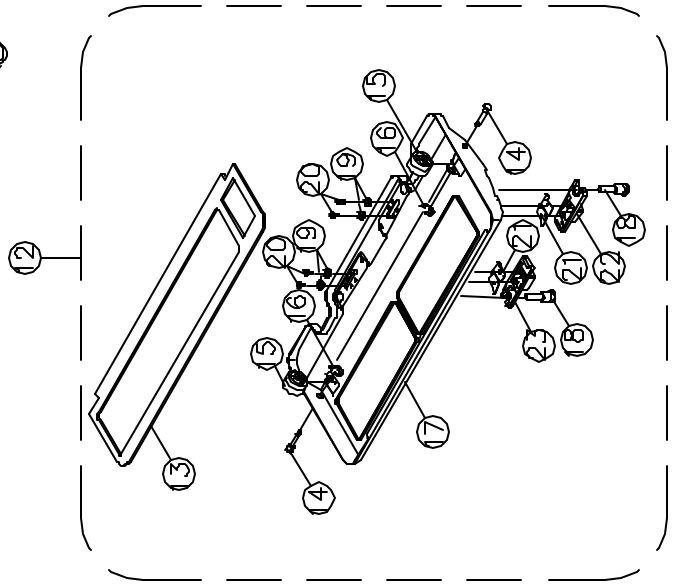
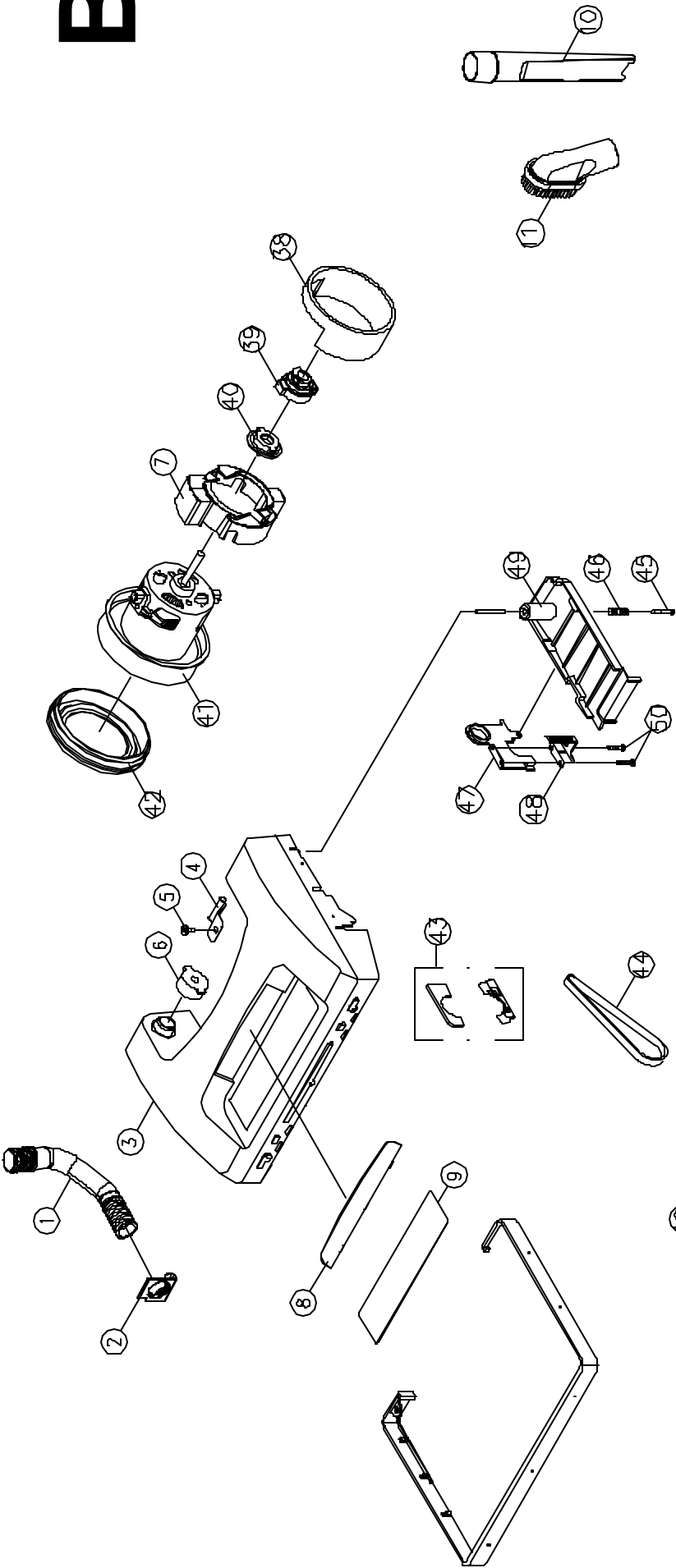
**MODEL CMPS-QD**  
VPPB-CMPS-QD

# A



KEY	ITEM	DESCRIPTION	KEY	ITEM	DESCRIPTION
1	CM021001	Dust Compartment	30	A732-0300	E-Ring
2	B326-0114	Boot Strain Relief	31	54.135	Rear Wheel Shaft
3	25.104	Switch	32	A732-8500	Screw
4	84.100	Internal Cord Strap	33	B224-3014B	Motor Lead Cord
5	A732-1100	Screw	34	84.109	Wire Bushing
6	84.102	Switch Cover	35	A732-0100	Zip Tie
7	A732-4500	Screw	36	B123-0100	Wire Connector
8	CMPS-SF	Secondary Filter	37	CM021007	On-Board Tools Holder
9	84.103	Seal Kit	38	84.11	Screw
10	84.104	Dust Compartment Seal	39	CM021009	Handle Retainer
11	CMPS-12	Paper Bag	40	CMPS-50C	Power Cord
12	CM021004	Dust Cover	41	Z19	Swivel Inlet Gasket
13	24.700	Latch Spring	42	B211-0230	Paper Bag Inlet
14	84.105	Dust Cover Latch	43	C625-0131	Suction Inlet Assembly
15	84.106	Switch Cover Seal	44	54.14	Hose Hanger
16	84.107	Motor Cord Holder Plate	45	CMQD-TUBE	Handle Assembly Complete
17	84.108	Support Strap	46	CMQD-GRIP	Foam Handle Grip
18	CM021005	Motor Cover	47	A232-0100	Handle Screw
19	CM031006	Screw	48	CMPS-PF	Plastic Frame
20	A732-1100	Screw	49		Washer
21	84.110	Screw	50	84.111	Lower DC Cord Retainer
22		Washer	51	A732-1100	Screw
23	A732-0700	Screw	52	CM021021	Suction Relief Valve Assembly
24	B333-0400B	Thermal Reset Switch	53	CMQD-HANDLE	Handle Grip Assembly
25	B333-0600	Temperature Switch Seal	54	CMQD-WAND	Quick Draw Wand Assembly
26	CM021006	Rear Wheel and Axle	55	B352-6900	Cord Clip
27	54.136	Washer	56	CMQD-WNDHLD	Quick Draw Attachment Holder
28	B210-0531	Rear Wheel	57	CMQD-CO	Quick Draw Clean Out
29	A328-0100B	Washer	58	CMQD-HOSE	Nozzle Hose
			59		Button Spring Cover

# B



## DRAWING B

CMPS-QD

KEY	ITEM	DESCRIPTION	KEY	ITEM	DESCRIPTION
1	CMQD-NOZHOSE	Nozzle Hose	26	B012-0700	Left Cover Metal Cap
2		Suction Fitting Collar	27	B012-0600	Felt Washer
3	CM011002	Nozzle Housing	28	B012-1300	Bearing
4	53.008	Handle Release Spring	29	B012-0500	Agitator Bearing Holder
5	CM031000	Screw	30	CMP-STRIP	Agitator Brush
6	84.200	Pivot Sleeve Bushing	31	B012-0400	Agitator Pulley
7		Motor Shroud	32	B624-0100	Spacing Spring
8	CM011001	Lens	33	B012-0800	Right Metal Cap
9	CMP-MARK	Topper Mark	34	B012-0114	Rubbe End Cover Right
10	CM040002	Crevice Tool	35	B012-1000	Agitator Shaft
11	CM040003	Round Brush	36	A732-0400	Spring Clip
12	CM-011007	Base Plate Assembly	37	A732-0200	E-Ring
13	CM031001	Base Plate Gasket	38		Sound Suppressor
14	B010-0500	Base Plate Wheel Axle	39	B123-1300	Pivot Sleeve
15	B010-0413	Base Plate Wheel	40	CM031002	Motor Mount
16	A732-2100	BP Wheel Push Nut	41	CM011010	Motor
17		Bottom Plate	42	CM031003	Motor Mount
18	CM011012	Base Plate Latch Stud	43	B017-1200	Felt Packing & Fitting
19	AEA0493001	Shoulder Washer Latch	44	CMPS-BB	Belt
20	004230216	Screw for Latch	45	CM031004	Screws
21	AEA0473000	BP Latch Leaf Spring	46	CM031005	Spring
22	CM011008	Base Plate Latch Left	47	CM011004	Pedal Frame
23	CM011009	Base Plate Latch Right	48	B014-0500	Belt Cover
24	CMPS010130	Brush Roll Assembly	49	CM011006	Pedal
25	B012-0214	Rubber End Cover Left	50	A732-7300	Screws